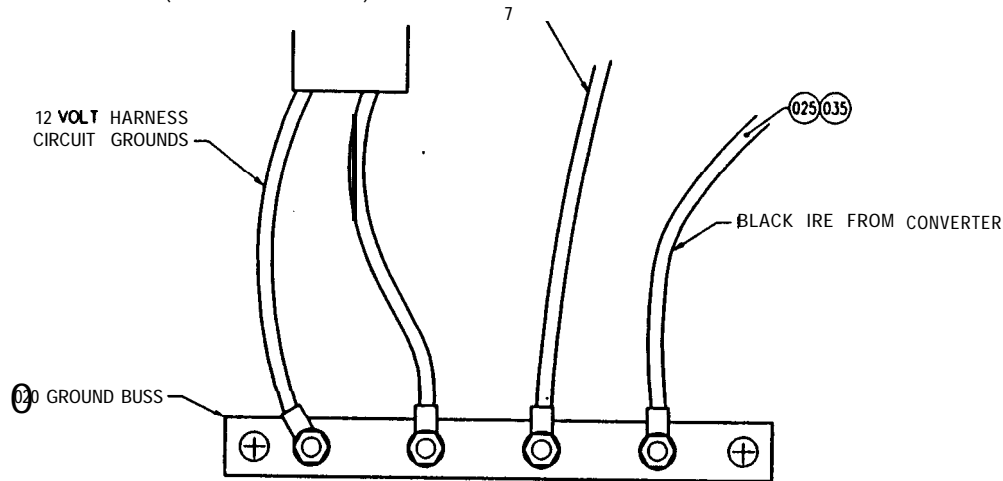
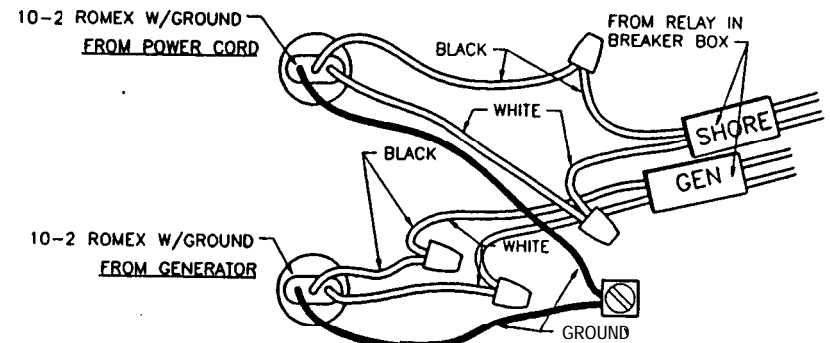


D.C. RELEASE	DESCRIPTION	DATE	BY	SCALE: 12" = 1'-0"	USED ON:	FLEETWOOD PAGE NO. 721-19-00550
99-00		04-10-98	T M	PLOT: 04/10/98 13:41:16 01martit	AUX. P.F.O.	TITLE: ELECTRICAL - BASIC

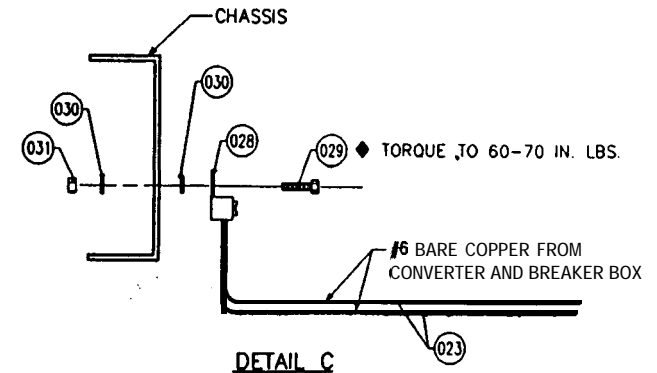
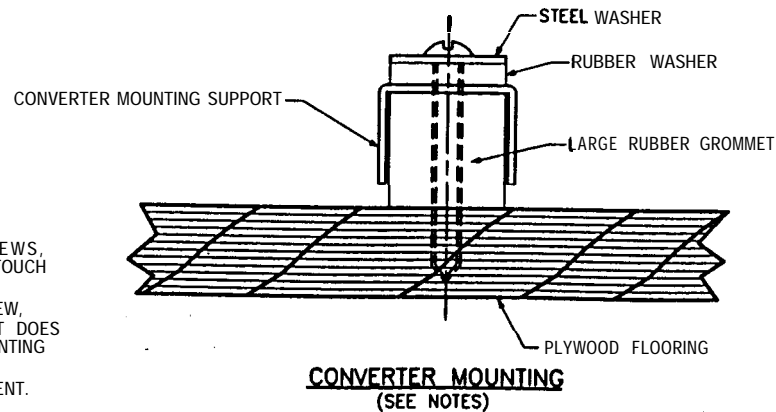
6 GA. BLACK TO AUX. BATT. GROUND
(FROM MISC. HARNESS)



DETAIL A



DETAIL B
(VIEW INSIDE BREAKER BOX)



DETAIL C

NOTES:

1. DO NOT OVER TIGHTEN WOOD SCREWS. CONVERTER MOUNTING MUST NOT TOUCH PLYWOOD FLOORING.
2. WHEN INSTALLING THE WOOD SCREW, CARE MUST BE TAKEN SO THAT IT DOES NOT TOUCH THE CONVERTER MOUNTING SUPPORT.
3. ◆-- INDICATES CRITICAL COMPONENT.

D.C. RELEASE	DESCRIPTION	DATE	B Y	SCALE DRAWN: 12" = 1'-0"	USED ON:	FLEETWOOD PAGE NO. 721-19-90955
				PROJECT: Jan T. 03-24-98		RECREATIONAL VEHICLE GROUP SHEET 1 of 2
99-00		03/26/98	DM	PLOT: 99721300		TITLE: RANGE HOOD WIRING
				03/26/98 12:51:0501 milled	AUX. INFO.	

